

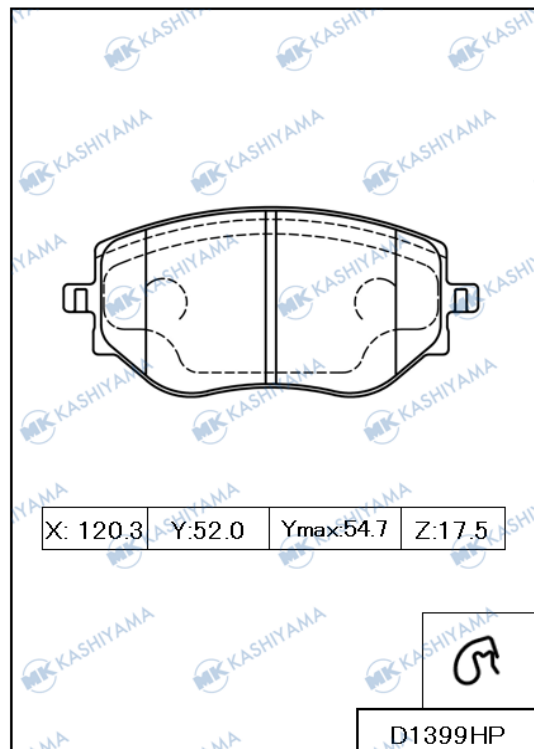
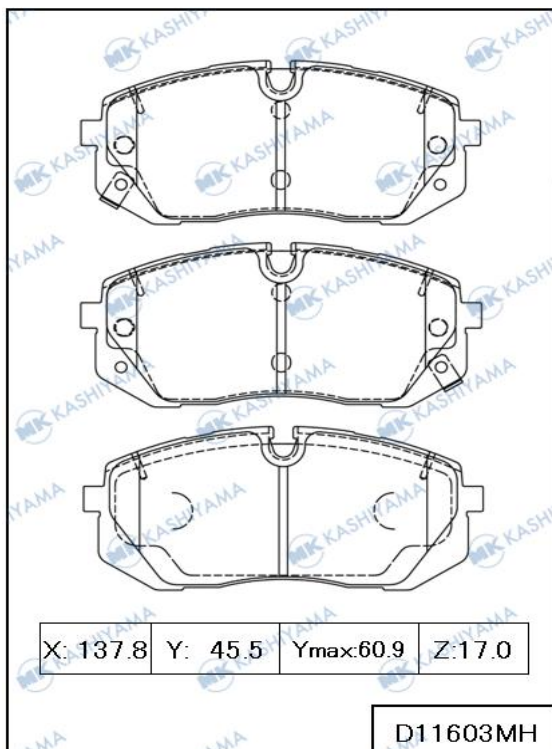
MK KASHIYAMA ITEM / INTERCHANGE NEWS

MARCH New Item Information

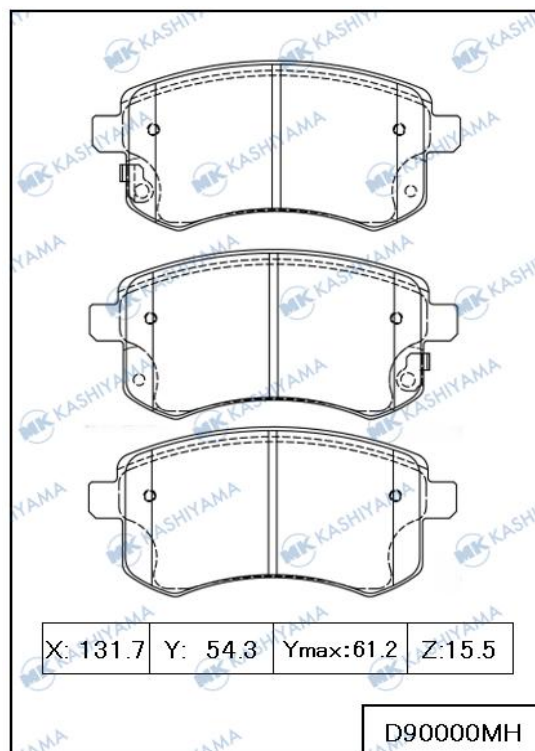
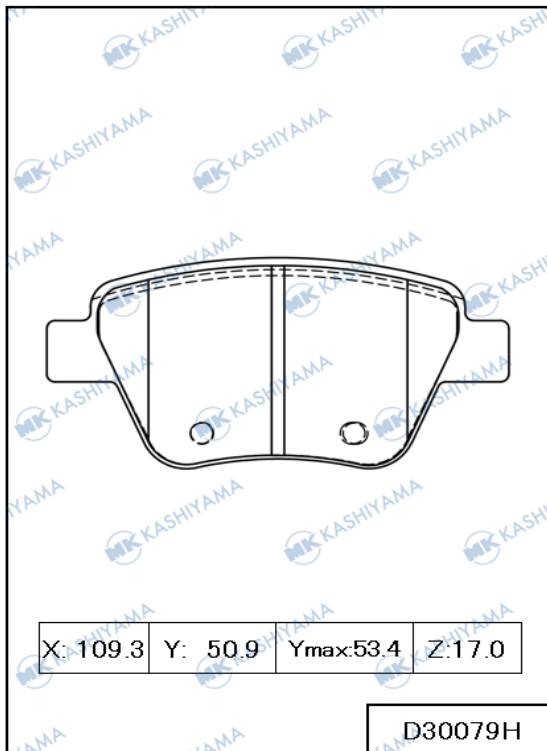
■ BRAKE PAD

No.	Position	Application	Quotation Month
D11603MH Made in Indonesia FMSI	FRONT	HYUNDAI I20 N 1600cc 2021.03- <EUR,TUR,AUS>	March, 2025
D1399HP Made in Indonesia FMSI	FRONT	NISSAN MICRA K14FR 1000cc 2018.06- <EUR,GEN,ZAF>	March, 2025
D30079H Made in Indonesia FMSI D1456	REAR	VW JETTA 2005-2014 <USA> VW GOLF 2010-2014 <USA> AUDI A1, A1 SPORTBACK 2012-2014 <CHN> AUDI A3 SPORTBACK 2012-2014 <CHN> SKODA OCTAVIA 2009-2013 <CHN>	March, 2025
D90000MH Made in Indonesia FMSI	FRONT	PROTON EXORA 1600cc 2009- <THA,MYS>	March, 2025

MARCH New Item Drawing Information



MK KASHIYAMA ITEM / INTERCHANGE NEWS



Valuable Information

■ Newly start Products with SHIM (Existing MK KASHIYAMA Item)

No.	Origin	Quotation Month
D1244MH	Made in Japan, Indonesia	March, 2025
D1286MH	Made in Japan, Indonesia	March, 2025
D2042H	Made in Japan, Indonesia	March, 2025
D2062H	Made in Japan, Indonesia	March, 2025
D3178H	Made in Japan	March, 2025
D6161H	Made in Japan, Indonesia	March, 2025
D7060MH	Made in Japan, Indonesia	March, 2025

■ Interchange information (Existing MK KASHIYAMA item)

No.	Position	Application	Year
D11376MH	FRONT	PROTON X70	2018-

MK KASHIYAMA ITEM / INTERCHANGE NEWS

Valuable Information

■ Newly start Product (Existing MK KASHIYAMA Item)

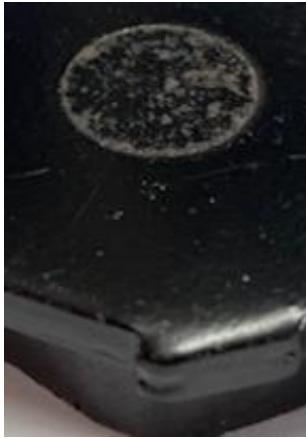
D3192、D3192H is available in Japan from March order.

Announcement

■ Changing of back-plate hole

We change back plate hole from flat type to dent type for below MKKASHIYAMA Number products.
If you have any questions, please do not hesitate to ask us.

<Flat>



<Dent>



No.	Origin
D2042H	Made in Japan
D2062H	Made in Japan