
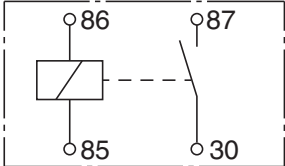

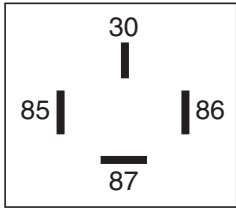

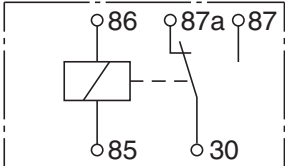

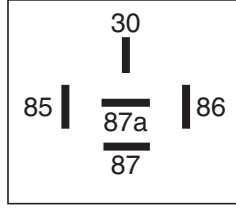


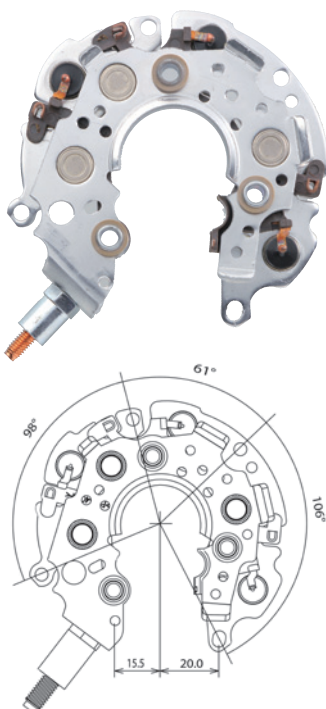


**NEW PRODUCTS NP-215**

New-Era No.	Rated Current	Ref. No.	Circuit / Terminal	On Sale
<b>NPR-101</b> <b>12V</b> 	30A			JAN'14
<b>NPR-201</b> <b>24V</b> 	20A			
<b>NPR-102</b> <b>12V</b> 	20A / 30A	0-332-209-150		
<b>NPR-202</b> <b>24V</b> 	10A / 20A	0-332-209-203		

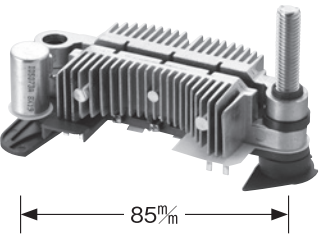
500PCS./CARTON  
 CARTON SIZE: 41×31×33cm(0.041943m<sup>3</sup>)  
 G/W:21kg

<http://www.newera.co.jp/>

## NEW PRODUCTS

Illustration	Ref. No.	Application	On Sale
<p><b>D-900</b> <span style="float: right;"><b>12V</b></span></p>  <p>30PCS./CARTON CARTON SIZE: 68×27×24cm(0.04406m<sup>3</sup>) G/W:8kg</p>	<p>27357-0L070 27357-0L050</p> <p><b>ALTERNATOR 12V</b></p> <p>27060-0L020 27060-0L021 27060-0L022 27060-0C021 27060-0C030 27060-0C031 27060-0D270</p>	<p><b>TOYOTA</b> INNOVA/KIJANG KUN40/TGN40 (1TR-FE/2KD-FTV) '04~ (2TR-FE) '10~ FORTUNER KUN51 (1KD-FTV) '09~ KUN5#/60 (1KD-FTV/2KD-FTV) '05~'06 KUN51/61 (1KD-FTV) '06,'08~ TGN51/61 (2TR-FE) '10~ HILUX KUN15/2#/3# (1KD-FTV) '04~'06,'08~ TGN1#/26/36 (1TR-FE/2TR-FE) '10~ COROLLA ZZE142 (1ZZ-FE) '08~'09</p> <div style="display: flex; justify-content: space-around; margin-top: 20px;">   </div>	<p><b>DEC.'13</b></p>

## ADDITIONAL APPLICATIONS

Illustration	Ref. No.	Application	
<p><b>D-032</b> <span style="float: right;"><b>12V</b></span></p> 	<p>MD618734 23124-K8470 (A860X42770)</p> <p><b>ALTERNATOR 12V 65A</b></p> <p>MD192133 (A002T37976) MD304129 (A002TN0399) MD313939 (A002TN0499) MD314236 (A002TN0199) MD314235 (A002TN0299) MD315430 (A002TN0599) MD306649 (A002T82899)</p>	<p><b>MITSUBISHI</b> RVR N28W/N28WG (4D68) '92~'93 CHARIOT N38W/N48W (4D68) '92~'93 DELICA P05V/P15V/P25V/P45V (4D56) '94~'00 P05T/P15T/P25T (4D56) '94~'00 PA5V/PB5V/PD5V (4D56) '94~'95 CHALLENGER K94W/K94WG (4D56) '93~'99 PAJERO V24C/V24W (4D56) '93~'99</p>	