

MK ITEM / INTERCHANGE NEWS

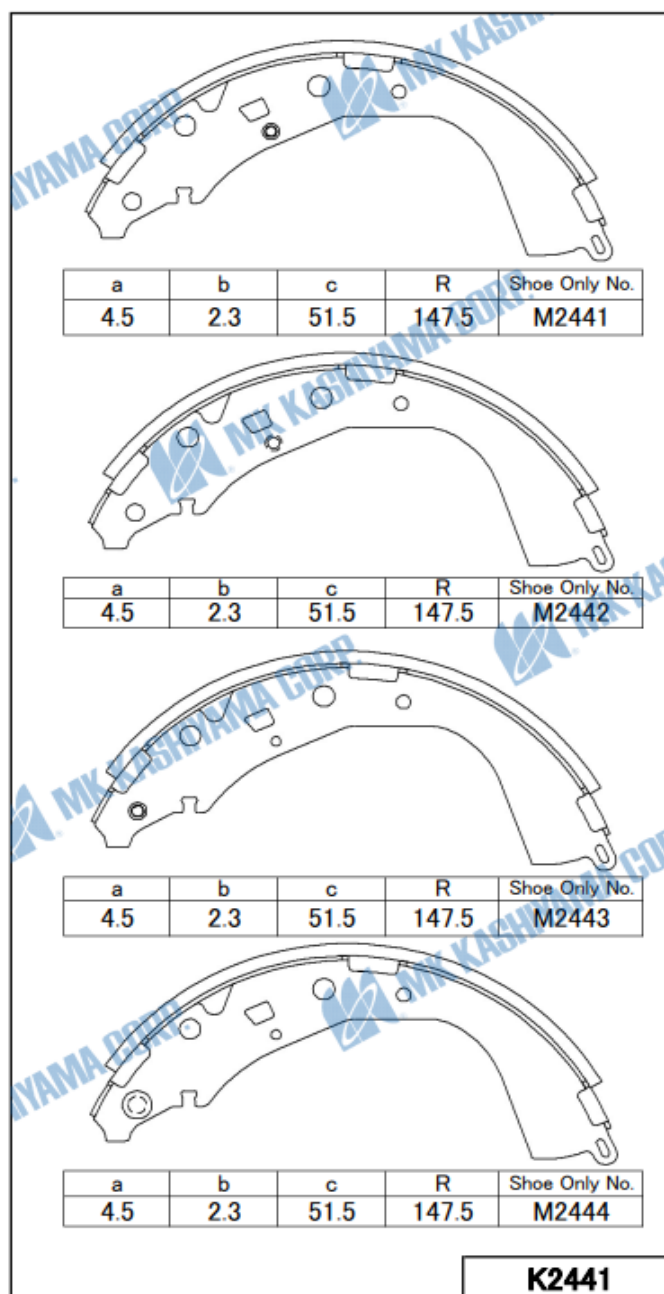
MAY New Item Information

■ BRAKE SHOE

MK No.	Position	Application	Quotation Month
K2441	Rear	Toyota 4-Runner 2700cc,3400cc 00.08-02.08 <EUR,USA,CAN>	May,2024
Made in Japan		Toyota Tacoma 2700cc,3400cc 02.09-04.09 <USA,CAN>	
Made in indonesia		Toyota Hiace 2500cc~3000cc 15.01- <THA,ZAF,VNM,KEN>	
FMSI S764		Toyota Tundra 3400cc~4700cc 02.08-06.10 <USA,CAN>	

MAY New Item Drawing Information

■ BRAKE SHOE



MK ITEM / INTERCHANGE NEWS

Valuable Information

■ Interchange information (Existing MK item)

MK No.	Position	Application	Year
D1318MH	FRONT	NISSAN PATROL Y62 <GEN-LHD>	2019.07-2021.08
D5183	FRONT	HONDA ODYSSEY	2001-2005
D11493MH	REAR	HYUNDAI SANTA CRUZ (2500cc) <USA>	2021.05-

■ Newly start Products with SHIM (Existing MK Item)

MK No.	Origin	Quotation Month
D2286MH	Made in Indonesia	May, 2024

Announcement

■ Changing of back-plate hole

We change back plate hole from flat type to dent type for below MK Number.

If you have any questions, please do not hesitate to ask us.

<Flat>



<Dent>



MK No.	Origin
D6146M	Made in Japan
D7049M	Made in Japan

MK ITEM / INTERCHANGE NEWS

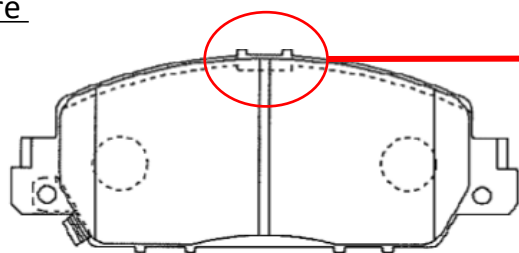
■ Changing of back-plate shape

Changing back plate shape as following for below MK Number.

This change is from June shipment.

MK No.	Origin
D5214M	Made in Japan / Made in Indonesia
D5214MH	

Before



After

