

MK ITEM / INTERCHANGE NEWS

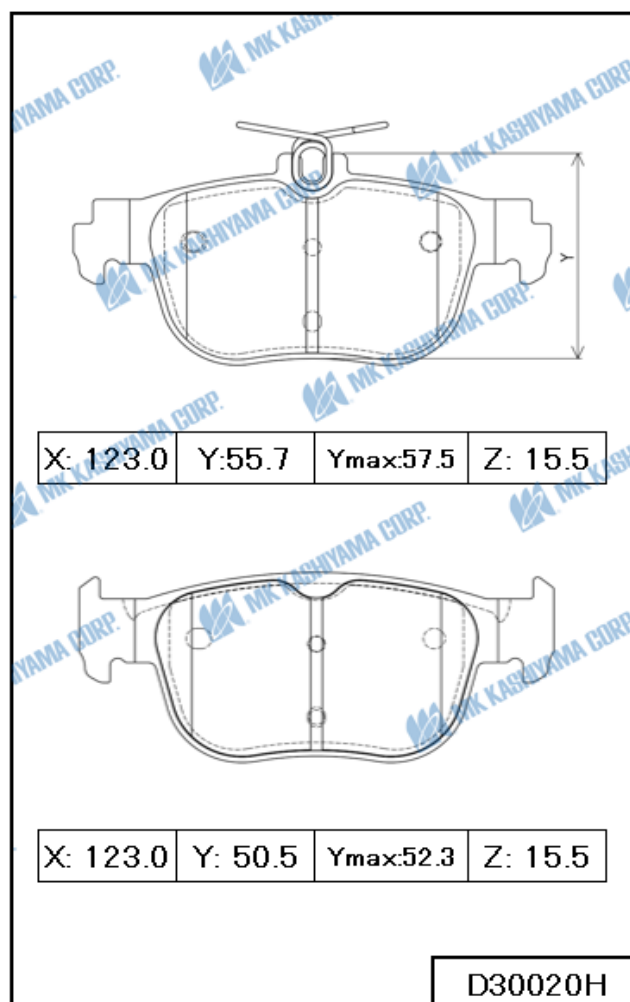
JULY New Item Information

■ BRAKE PAD

MK No.	Position	Application	Quotation Month
D30020H Made in Indonesia FMSI D2432	REAR	AUDI A3 8YA,8YS 1500cc~2000cc 2019.11- <EUR> SEAT LEON KL1 1500cc~2000cc 2019.11- <EUR> SKODA OCTAVIA NX5 1500cc~2000cc 2019.11- <EUR> VW GOLF CD1 1000cc~2000cc 2019.07- <EUR>	July,2024

JULY New Item Drawing Information

■ BRAKE PAD



Valuable Information

■ Newly start Products with SHIM (Existing MK Item)

MK No.	Origin	Quotation Month
D0057H	Made in Japan	July, 2024

MK ITEM / INTERCHANGE NEWS

■ Changed sets/carton Items (Existing MK Item)

Since starting or planning to start with SHIM products, inner box size will be bigger than before for fit with SHIM products. This is why sets/carton of without SHIM products also changed. Below products will be changed from this month shipment for Made in Japan & Indonesia.

<From this month shipment>

MK No.	Previous	Present	Origin
D1243	5 sets/ctn	2 sets/ctn	Made in Japan & Indonesia
D1243H	5 sets/ctn	2 sets/ctn	Made in Japan & Indonesia
D4052	5 sets/ctn	2 sets/ctn	Made in Japan & Indonesia
D4052H	5 sets/ctn	2 sets/ctn	Made in Japan & Indonesia
D4060M	5 sets/ctn	2 sets/ctn	Made in Japan & Indonesia
D4060MH	5 sets/ctn	2 sets/ctn	Made in Japan & Indonesia



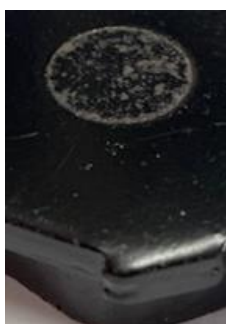
Announcement

■ Changing of back-plate hole

We change back plate hole from flat type to dent type for below MK Number.

If you have any questions, please do not hesitate to ask us.

<Flat>



<Dent>



MK No.	Origin
D1063MH	Made in Indonesia
D1122H	Made in Indonesia
D2253H	Made in Indonesia
D2348	Made in Japan
D9000H	Made in Indonesia

■ Holiday Notice

Please be informed that our Japan office will be closed as below.

• July 13 (Sat) -15 (Mon)

• August 1(Thu)-4(Sun), 11(Sun)-18(Sun)

You will not be able to reach us during the holiday. Thank you for your understanding.