

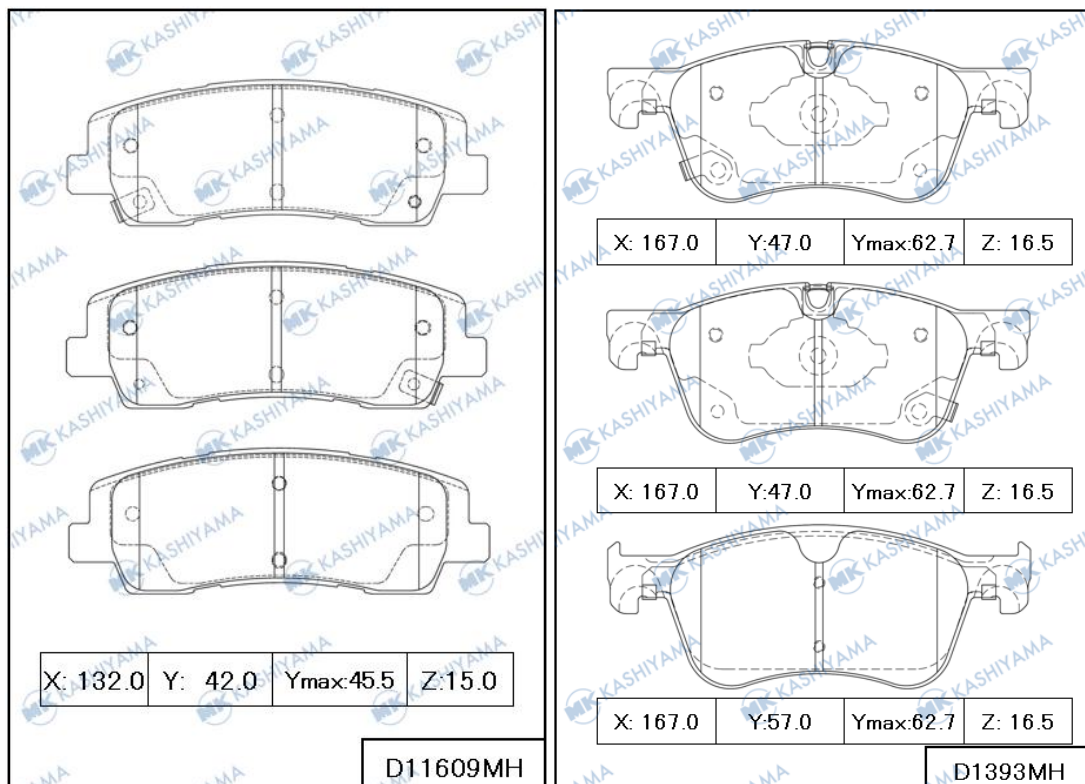
MK KASHIYAMA ITEM / INTERCHANGE NEWS

JANUARY New Item Information

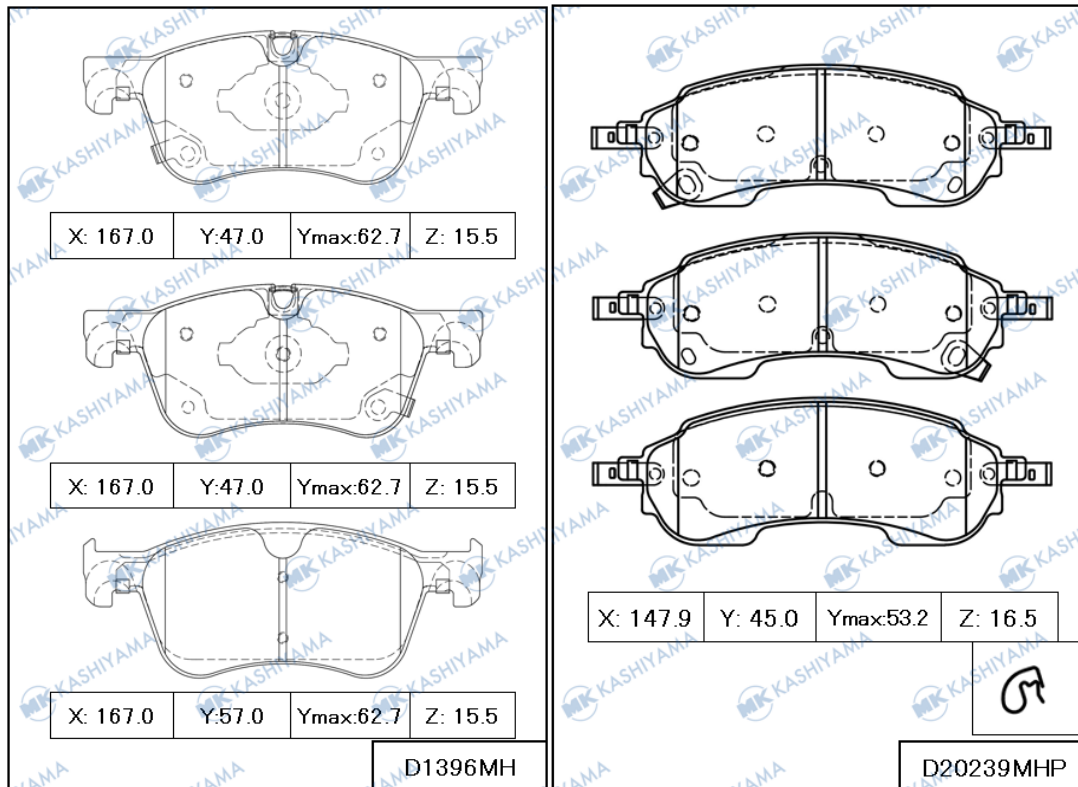
■ BRAKE PAD

No.	Position	Application	Quotation Month
D11609MH Made in Indonesia FMSI	REAR	HYUNDAI STARIA 2200cc~3500cc 2021.05- <GEN,AUS,ME>	January, 2025
No.	Position	Application	Quotation Month
D1393MH Made in Indonesia FMSI D2505	FRONT	NISSAN QASHQAI 1300cc 2021.05- <EUR,AUS,GEN>	January, 2025
No.	Position	Application	Quotation Month
D1396MH Made in Indonesia FMSI D2505	FRONT	NISSAN X-TRAIL 1500cc~2500cc 2021.06- <AUS,CHN,GCC>	January, 2025
No.	Position	Application	Quotation Month
D20239MHP Made in Indonesia FMSI D2414	REAR	FORD RANGER 2000cc~3000cc 2022.04- <EUR> FORD RANGER RAPTOR 2000cc 2022.04- <EUR>	January, 2025

JANUARY New Item Drawing Information



MK KASHIYAMA ITEM / INTERCHANGE NEWS



Valuable Information

■ Newly start Products with SHIM (Existing MK KASHIYAMA Item)

No.	Origin	Quotation Month
D1284MH	Made in Japan	January, 2025
D20022MH	Made in Indonesia	January, 2025
D2110MH	Made in Japan, Indonesia	January, 2025
D2327H	Made in Japan, Indonesia	January, 2025
D5183H	Made in Japan, Indonesia	January, 2025
D6162MH	Made in Japan, Indonesia	January, 2025
D7020MH	Made in Japan	January, 2025
D9017H	Made in Japan, Indonesia	January, 2025

■ Interchange information (Existing MK KASHIYAMA item)

No.	Position	Application	Year
D4075MH	FRONT	ISUZU TFR/TFS	2020-
D4079MH	FRONT	ISUZU UCR/UCS (1900cc, 3000cc) <GEN>	21.04-
K1289	REAR	LADA VESTA 1.6 (GFL11)	15.11-

MK KASHIYAMA ITEM / INTERCHANGE NEWS

Valuable Information

■ Newly start Product (Existing MK KASHIYAMA Item)

D3191H is available in Indonesia from January order.

■ Changed sets/carton Items (Existing MK KASHIYAMA Item)

SETS/CTN of below products will be changed from February shipment for Made in Japan & Indonesia.

<From February shipment>

No.	Previous	Present	Origin
D2110M	12 sets/ctn	8 sets/ctn	Made in Japan & Indonesia
D2110MH	12 sets/ctn	8 sets/ctn	Made in Japan & Indonesia



Announcement

■ Changing of back-plate hole

We change back plate hole from flat type to dent type for below MK KASHIYAMA Number products. If you have any questions, please do not hesitate to ask us.

<Flat>



<Dent>



No.	Origin
D1083H	Made in Japan
D1092MH	Made in Japan
D1116MH	Made in Japan
D1142MH	Made in Japan
D1154MH	Made in Japan
D1193H	Made in Japan
D1230H	Made in Japan
D6109H	Made in Japan
D6127H	Made in Japan