

# MK ITEM / INTERCHANGE NEWS

## AUGUST New Item Information

### ■ BRAKE PAD

MK No.	Position	Application	Quotation Month
D11536MH Made in Indonesia  FMSI	FRONT	KIA K-SERIES 06.11- <GEN,ME> KIA BONGO III 06.11- <GEN,ME>	August,2024
D1379MHP Made in Indonesia  FMSI     D2306	REAR	NISSAN SENTRA 2000cc 2020-2024 <USA>	August,2024
D1388MH Made in Indonesia  FMSI     D1649	FRONT	NISSAN MURANO 2500cc,3500cc 16.06- <EUR-LHD,USA,GEN-LHD> NISSAN PATHFINDER 2500cc,3500cc 12.09- <EUR-LHD,USA,GEN> INFINITI JX35 3500cc 12.11-13.10 <EUR-LHD,RUS,USA,GCC> INFINITI QX60 3500cc 13.10-21.12 <EUR-LHD,RUS,USA,GCC>	August,2024
D30036MH Made in Indonesia  FMSI	FRONT	MOSKVICH 3/3e 22.12- <RUS> JAC SEHOL X4 2020- <CHN> JAC SEHOL E40X 2020- <CHN> JAC JS4 2020- <EGY,KAZ,LBN>	August,2024
D30071H Made in Indonesia  FMSI	REAR	MG 5 1500cc 2020- <GEN-RHD> MG HS 1500cc 2018- <GEN-RHD> MG VS 1500cc 2022- <GEN-RHD> MG ZS 1000cc,1500cc 2017- <EUR,GEN>	August,2024
D30073H Made in Indonesia  FMSI	FRONT	MG 6 1800cc,1900cc 2009-2017 <EUR,GEN>	August,2024

# MK ITEM / INTERCHANGE NEWS

## AUGUST New Item Drawing Information

### ■ BRAKE PAD

X: 192.6	Y: 62.2	Ymax:70.3	Z: 17.5
----------	---------	-----------	---------

D11536MH

X: 105.9	Y: 47.7	Ymax:50.9	Z: 14.5
----------	---------	-----------	---------

D1379MHP

X: 165.4	Y:58.5	Ymax:59.7	Z: 16.0
----------	--------	-----------	---------

D1388MH

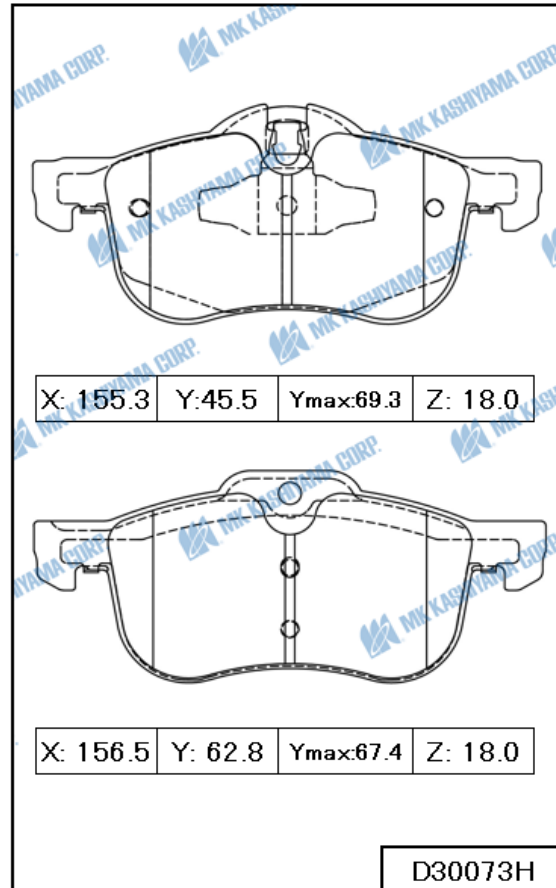
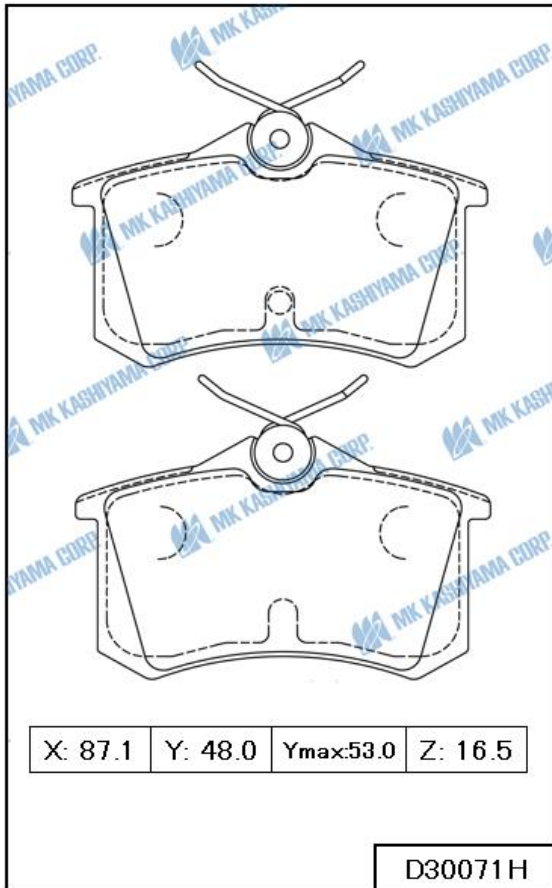
X: 124.4	Y: 49.5	Ymax:52.9	Z: 15.5
----------	---------	-----------	---------

D30036MH

# MK ITEM / INTERCHANGE NEWS

## AUGUST New Item Drawing Information

### ■ BRAKE PAD



## Valuable Information

### ■ Newly start Products with SHIM (Existing MK Item)

MK No.	Origin	Quotation Month
D2282H	Made in Japan, Indonesia	August, 2024
D7066MH	Made in Japan	August, 2024
D9015H	Made in Japan, Indonesia	August, 2024
D9078H	Made in Indonesia	August, 2024

### ■ Changed sets/carton Items (Existing MK Item)

Sets/Cartons of K3373 will be changed from August order (**End of November shipment**) for **made in Indonesia**.

<From August Order>

MK No.	Previous	Present	Origin
K3373	20 sets/ctn	28 sets/ctn	Made in Indonesia

# MK ITEM / INTERCHANGE NEWS

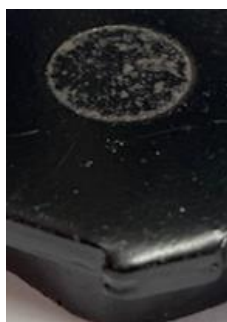
## Announcement

### ■ Changing of back-plate hole

We change back plate hole from flat type to dent type for below MK Number.

If you have any questions, please do not hesitate to ask us.

<Flat>



<Dent>



MK No.	Origin
D2180	Made in Japan
D2316	Made in Japan
D3156	Made in Japan
D3166M	Made in Japan
D6085	Made in Japan

### ■ Holiday Notice

Please be informed that our Japan office will be closed as below.

#### •August 11(Sun)-18(Sun)

You will not be able to reach us during the holiday. Thank you for your understanding.